

SFP-10G-XXAC

SFP+ Direct Attach Active Copper Cables 7m, 10m, 12m Reach

Features

- ◆ Support for multi-gigabit data rates up to 10.5Gbps
- ◆ Data rates backward compatible to 1Gbps
- ◆ Hot-pluggable SFP 20PIN footprint
- ◆ I/O Connector designed for high speed differential signal applications
- ◆ Improved Pluggable Form Factor(IPF) compliant for enhanced EMI/EMC performance
- ◆ Low Power Consumption < 0.5W
- ◆ Power Supply :+3.3V
- ◆ Compatible to SFP+ MSA
- ◆ Temperature Range: 0~ 70 °C
- ◆ RoHS Compatible



Applications

- ◆ High capacity I/O in Storage Area Networks, Network Attached Storage, and Storage Servers
- ◆ Switched fabric I/O such as ultra high bandwidth switches and routers
- ◆ Data center cabling infrastructure
- ◆ High density connections between networking equipment

Product Description

The SFP+ active cable assemblies are high performance, cost effective I/O solutions for 10Gb Ethernet and 10G Fiber Channel applications. SFP+ copper modules allow hardware manufactures to achieve high port density, configurability and utilization at a very low cast and reduced power budget. The high speed cable assemblies meet and exceed Gigabit Ethernet and Fiber Channel industry standard requirements for performance and reliability.

Recommended Operating Conditions

Parameter	Symbol	Min	Typical	Max	Unit
Storage Ambient Temperature		-40		+85	°C
Operating Case Temperature	T _c	0		+70	°C
Power Supply Voltage	V _{CC3}	3.14	3.3	3.47	V
Power Dissipation	PD			0.5	W

Systems

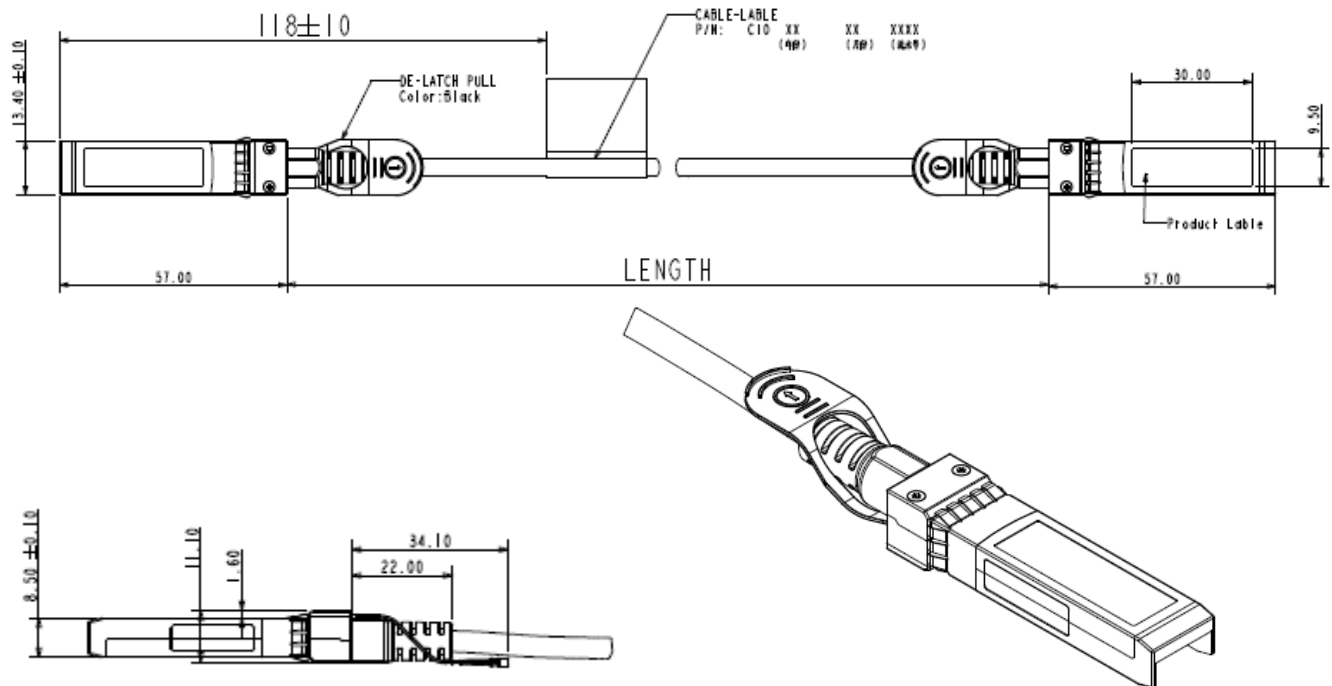
Performance	Media	Operating parameters
10.5Gbps line speed, full duplex Bit error rate: better than 10E-12	Hot-pluggable, industry-standard Small Form-Factor Pluggable(SFP+) copper cable, available max 10m	Supply voltage: 3.3V Power consumption(per end): max 0.5W

Pin Descriptions

Pin	Logic	Symbol	Name/Description	Notes
1		VeeT	Transmitter Ground	
2	LV-TTL-O	TX_Fault	N/A	1
3	LV-TTL-I	TX_DIS	Transmitter Disable	
4	LV-TTL-I/O	SDA	Two Wire Serial Data	
5	LV-TTL-I	SCL	Two Wire Serial Clock	
6		MOD_DEF0	Module present, connect to VeeT	
7	LV-TTL-I	RS0	N/A	1
8	LV-TTL-O	LOS	LOS of Signal	
9	LV-TTL-I	RS1	N/A	1
10		VeeR	Receiver Ground	
11		VeeR	Receiver Ground	
12	CML-O	RD-	Receiver Data Inverted	
13	CML-O	RD+	Receiver Data Non-Inverted	
14		VeeR	Receiver Ground	
15		VccR	Receiver Supply 3.3V	
16		VccT	Transmitter Supply 3.3V	
17		VeeT	Transmitter Ground	
18	CML-I	TD+	Transmitter Data Non-Inverted	
19	CML_I	TD-	Transmitter Data Inverted	
20		VeeT	Transmitter Ground	

1. Signals not supported in SFP+ Copper pulled-down to VeeT with 30K ohms resistor

Mechanical Dimensions



Ordering information

Part Number	Product Description
SFP-10G-07AC	SFP+ Direct Attach Active Cable(10GSFP+Cu), 7m, AWG:24, 0°C ~ +70°C
SFP-10G-10AC	SFP+ Direct Attach Active Cable(10GSFP+Cu), 10m, AWG:24, 0°C ~ +70°C
SFP-10G-12AC	SFP+ Direct Attach Active Cable(10GSFP+Cu), 12m, AWG:24, 0°C ~ +70°C

E-mail: sales@robofiber.com